

SY135C

PRODUCT SPECIFICATIONS

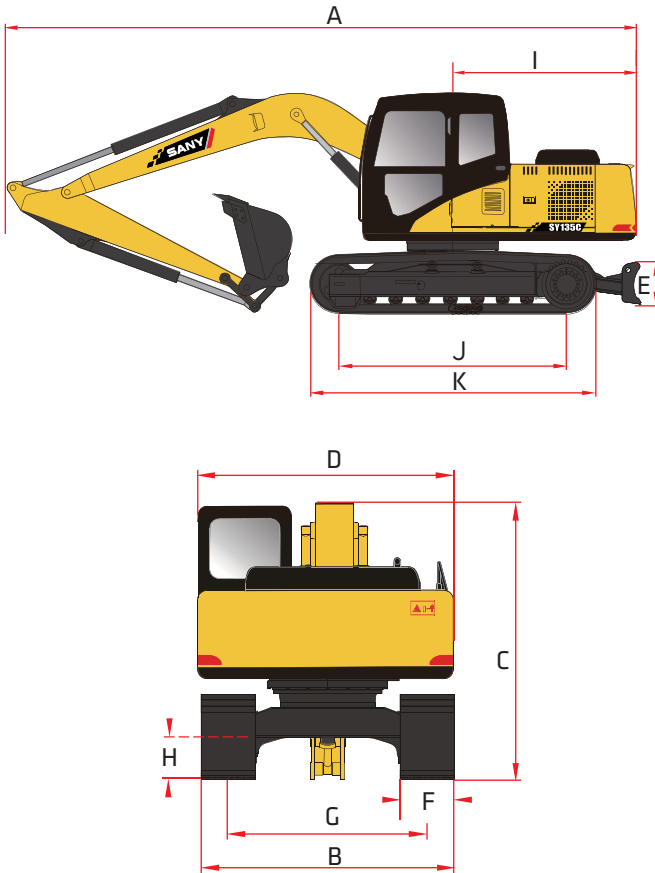


STANDARD FEATURES

- Powerful, robust and reliable powertrain & hydraulic components for long life in the most demanding applications
- Optimized positive flow control hydraulics improve operating efficiency by up to 5% and fuel efficiency by up to 10%
- ➔ **Gross Power**
77.0 kW / 103.3 hp
- ➔ **Dig Depth**
5500 mm / 18' 1"
- ➔ **Operating Weight**
14870 kg / 32,783 lb
- ➔ **Bucket Breakout**
92.0 kN / 20,682 lbf

SY135C || PRODUCT SPECIFICATIONS

DIMENSIONS



DIMENSIONS

Boom Length	4600 mm	15' 1"
Stick (Arm) Length	2500 mm	8' 2"
A Transport Length	7700 mm	25' 3"
B Transport Width	2600 mm	8' 6"
C Transport Height	2815 mm	9' 3"
D Upper Structure Width	2490 mm	8' 2"
E Blade Height	458 mm	18"
F Track Width (standard shoe)	600 mm	24"
G Track Gauge	1990 mm	6' 6"
H Ground Clearance (minimum)	425 mm	17"
I Tail Swing Radius	2205 mm	7' 3"
J Track Length on Ground	2930 mm	9' 7"
K Track Length	3665 mm	12' 0"

Powerful, robust and reliable powertrain and hydraulic components

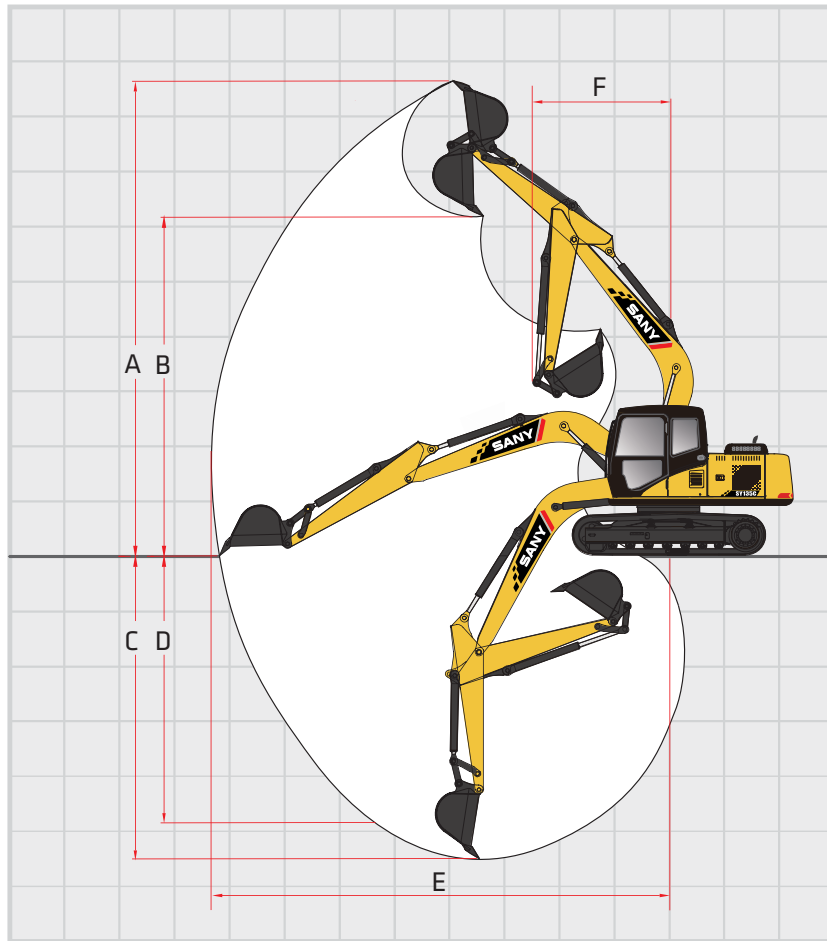
TECHNICAL SPECIFICATIONS

Operating Weight	14,870 kg	32,783 lb
Ground Pressure	39.0 kPa	5.7 psi
Engine	ISUZU AJ-4JJ1X-FT4	
Displacement	3.0 L	183.0 in ³
Gross Power	77.0 kW	103.3 HP
Hydraulics	Positive Flow Control with Pilot Control	
Main Hydraulic Pump	Axial Piston - Variable Displacement	
Operating Flow (maximum)	242.0 L/min	63.9 gal/min
Operating Pressure (maximum)	34.3 MPa	4975 psi
Travel Motor	Axial Piston with Park Brake	
Travel Pressure (maximum)	34.3 MPa	4975 psi
Travel Speeds (maximum)	3.5 / 5.5 km/hr	2.2 / 3.4 mph
Travel Effort (maximum)	110.0 kN	24,729 lbf
Grade Capability (maximum)	35°	
Swing Motor	Axial Piston with Swing Brake	
Swing Pressure (maximum)	25.0 MPa	3626 psi
Swing Speed (maximum)	12 RPM	
Undercarriage (standard)	Steel Track	
Track Shoe width (standard)	600 mm	24"
Track Rollers (per side)	7	
Carrier Rollers (per side)	1	

SERVICE REFILL CAPACITIES

Fuel Tank Capacity	240.0 L	63.2 gal
DEF Tank Capacity	19.0 L	5.0 gal
Hydraulic Tank Capacity	150.0 L	39.5 gal
Engine Oil Capacity	13.2 L	3.5 gal
Cooling System Capacity	22.0 L	5.8 gal

WORKING RANGE



WORKING RANGE

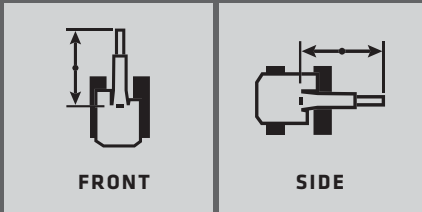
Boom Length	4600 mm	15' 1"
Stick (Arm) Length	2500 mm	8' 2"
A Maximum Digging Height	8645 mm	28' 4"
B Maximum Dumping Height	6175 mm	20' 3"
C Maximum Digging Depth	5500 mm	18' 1"
D Maximum Vertical Wall Digging Depth	4850 mm	15' 11"
E Maximum Reach at Ground Level	8290 mm	27' 2"
F Minimum Swing Radius	2500 mm	8' 2"

DIGGING PERFORMANCE

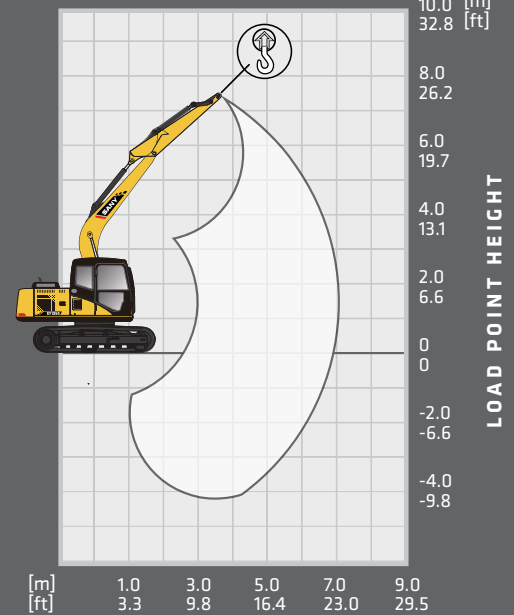
Boom Length	4600 mm	15' 1"
Stick (Arm) Length	2500 mm	8' 2"
Bucket Breakout Force (ISO)	92.0 kN	20,682 lbf
Stick (Arm) Digging Force (ISO)	66.0 kN	14,837 lbf

SY135C || LIFTING PERFORMANCE

Standard 4600 mm (15' 1") Boom
 Standard 2500 mm (8' 2") Arm
 Standard 600 mm (24") Track Shoes
 No Bucket



Ratings are based on ISO 10567:2007.
 Lift capacity does not exceed 75% of tipping load with the machine on firm, level ground or 87% of hydraulic lifting capacity.



BLADE DOWN														
LOAD RADIUS	2.0 m 6.6 ft		3.0 m 9.8 ft		4.0 m 13.4 ft		5.0 m 16.4 ft		6.0 m 19.7 ft		7.0 m 23.0 ft		MAX REACH	
LOAD POINT HEIGHT														
7.0 m 23 ft					3200 kg* 7,055 lb*	3200 kg* 7,055 lb*							2550 kg* 5,620 lb*	2550 kg* 5,620 lb*
6.0 m 19.7 ft							3150 kg* 6,945 lb*	3150 kg* 6,945 lb*					2250 kg* 4,960 lb*	2250 kg* 4,960 lb*
5.0 m 16.4 ft							3500 kg* 7,715 lb*	3500 kg* 7,715 lb*	2400 kg* 5,290 lb*	2400 kg* 5,290 lb*			2100 kg* 4,630 lb*	2100 kg* 4,630 lb*
4.0 m 13.1 ft					3950 kg* 8,710 lb*	3950 kg* 8,710 lb*	3700 kg* 8,150 lb*	3500 kg* 7,715 lb	3550 kg* 7,825 lb*	2650 kg* 5,840 lb			2050 kg* 4,520 lb*	2050 kg* 4,520 lb*
3.0 m 9.8 ft			5800 kg* 12,785 lb*	5800 kg* 12,785 lb*	4650 kg* 10,250 lb*	4650 kg* 10,250 lb*	4050 kg* 8,930 lb*	3400 kg* 7,495 lb	3700 kg* 8,160 lb*	2600 kg* 5,730 lb			2050 kg* 4,520 lb*	2050 kg* 4,520 lb*
2.0 m 6.6 ft			7500 kg* 16,535 lb*	6800 kg* 14,990 lb	5450 kg* 12,015 lb*	4500 kg* 9,920 lb	4500 kg* 9,920 lb*	3300 kg* 7,275 lb	3950 kg* 8,710 lb*	2550 kg* 5,620 lb	2300 kg* 5,070 lb*	2050 kg* 4,520 lb	2100 kg* 4,630 lb*	2050 kg* 4,520 lb
1.0 m 3.3 ft			6800 kg* 14,990 lb*	6450 kg* 14,220 lb	6150 kg* 13,560 lb*	4300 kg* 9,480 lb	4900 kg* 10,800 lb*	3200 kg* 7,055 lb	4150 kg* 9,150 lb*	2500 kg* 5,510 lb	2450 kg* 5,400 lb*	2000 kg* 4,410 lb	2200 kg* 4,850 lb*	2000 kg* 4,410 lb
0 m 0 ft			6750 kg* 14,880 lb*	6300 kg* 13,890 lb	6500 kg* 14,330 lb*	4200 kg* 9,260 lb	4900 kg* 10,800 lb	3100 kg* 6,835 lb	4300 kg* 9,480 lb*	2450 kg* 5,400 lb			2350 kg* 5,180 lb*	2050 kg* 4,520 lb
-1.0 m -3.3 ft	4550 kg* 10,030 lb*	4550 kg* 10,030 lb*	8450 kg* 18,630 lb*	6250 kg* 13,780 lb	6550 kg* 14,440 lb*	4100 kg* 9,040 lb	5200 kg* 11,465 lb*	3050 kg* 6,725 lb	4250 kg* 9,370 lb*	2400 kg* 5,290 lb			2600 kg* 5,730 lb*	2150 kg* 4,740 lb
-2.0 m -6.6 ft	6900 kg* 15,210 lb*	6900 kg* 15,210 lb*	8150 kg* 17,965 lb*	6300 kg* 13,890 lb	6300 kg* 13,890 lb*	4100 kg* 9,040 lb	5000 kg* 11,025 lb*	3050 kg* 6,725 lb	3950 kg* 8,710 lb*	2400 kg* 5,290 lb			3050 kg* 6,725 lb*	2350 kg* 5,180 lb
-3.0 m -9.8 ft	9600 kg* 21,165 lb*	9600 kg* 21,165 lb*	7200 kg* 15,870 lb*	6350 kg* 14,000 lb	5600 kg* 12,345 lb*	4150 kg* 9,150 lb	4350 kg* 9,590 lb*	3100 kg* 6,835 lb					3750 kg* 8,270 lb*	2800 kg* 6,170 lb
-4.0 m -13.1 ft			5500 kg* 12,125 lb*	5500 kg* 12,125 lb*	4150 kg* 9,150 lb*	4150 kg* 9,150 lb*							3550 kg* 7,825 lb*	3550 kg* 7,825 lb*
BLADE UP														
7.0 m 23 ft					3200 kg* 7,055 lb*	3200 kg* 7,055 lb*							2550 kg* 5,620 lb*	2550 kg* 5,620 lb*
6.0 m 19.7 ft							3150 kg* 6,945 lb*	3150 kg* 6,945 lb*					2250 kg* 4,960 lb*	2250 kg* 4,960 lb*
5.0 m 16.4 ft							3500 kg* 7,715 lb*	3500 kg* 7,715 lb*	2400 kg* 5,290 lb*	2400 kg* 5,290 lb*			2100 kg* 4,630 lb*	2100 kg* 4,630 lb*
4.0 m 13.1 ft					3950 kg* 8,710 lb*	3950 kg* 8,710 lb*	3700 kg* 8,150 lb*	3500 kg* 7,715 lb	3550 kg* 7,825 lb*	2650 kg* 5,840 lb			2050 kg* 4,520 lb*	2050 kg* 4,520 lb*
3.0 m 9.8 ft			5800 kg* 12,785 lb*	5800 kg* 12,785 lb*	4650 kg* 10,250 lb*	4650 kg* 10,250 lb*	4050 kg* 8,930 lb*	3400 kg* 7,495 lb	3700 kg* 8,160 lb*	2600 kg* 5,730 lb			2050 kg* 4,520 lb*	2050 kg* 4,520 lb*
2.0 m 6.6 ft			7500 kg* 16,535 lb*	6800 kg* 14,990 lb	5450 kg* 12,015 lb*	4500 kg* 9,920 lb	4500 kg* 9,920 lb*	3300 kg* 7,275 lb	3900 kg* 8,600 lb	2550 kg* 5,620 lb	2300 kg* 5,070 lb*	2050 kg* 4,520 lb	2100 kg* 4,630 lb*	2050 kg* 4,520 lb
1.0 m 3.3 ft			6800 kg* 14,990 lb*	6450 kg* 14,220 lb	6150 kg* 13,560 lb*	4300 kg* 9,480 lb	4900 kg* 10,800 lb*	3200 kg* 7,055 lb	3800 kg* 8,380 lb	2500 kg* 5,510 lb	2450 kg* 5,400 lb*	2000 kg* 4,410 lb	2200 kg* 4,850 lb*	2000 kg* 4,410 lb
0 m 0 ft			6750 kg* 14,880 lb*	6300 kg* 13,890 lb	6500 kg* 14,330 lb*	4200 kg* 9,260 lb	4900 kg* 10,800 lb	3100 kg* 6,835 lb	3750 kg* 8,270 lb	2450 kg* 5,400 lb			2350 kg* 5,180 lb*	2050 kg* 4,520 lb
-1.0 m -3.3 ft	4550 kg* 10,030 lb*	4550 kg* 10,030 lb*	8450 kg* 18,630 lb*	6250 kg* 13,780 lb	6550 kg* 14,440 lb*	4100 kg* 9,040 lb	4850 kg* 10,690 lb	3050 kg* 6,725 lb	3750 kg* 8,270 lb	2400 kg* 5,290 lb			2600 kg* 5,730 lb*	2150 kg* 4,740 lb
-2.0 m -6.6 ft	6900 kg* 15,210 lb*	6900 kg* 15,210 lb*	8150 kg* 17,965 lb*	6300 kg* 13,890 lb	6300 kg* 13,890 lb*	4100 kg* 9,040 lb	4850 kg* 10,690 lb	3050 kg* 6,725 lb	3750 kg* 8,270 lb	2400 kg* 5,290 lb			3050 kg* 6,725 lb*	2350 kg* 5,180 lb
-3.0 m -9.8 ft	9600 kg* 21,165 lb*	9600 kg* 21,165 lb*	7200 kg* 15,870 lb*	6350 kg* 14,000 lb	5600 kg* 12,345 lb*	4150 kg* 9,150 lb	4350 kg* 9,590 lb*	3100 kg* 6,835 lb					3750 kg* 8,270 lb*	2800 kg* 6,170 lb
-4.0 m -13.1 ft			5500 kg* 12,125 lb*	5500 kg* 12,125 lb*	4150 kg* 9,150 lb*	4150 kg* 9,150 lb*							3550 kg* 7,825 lb*	3550 kg* 7,825 lb*

* Indicates load limited by hydraulic lifting capacity